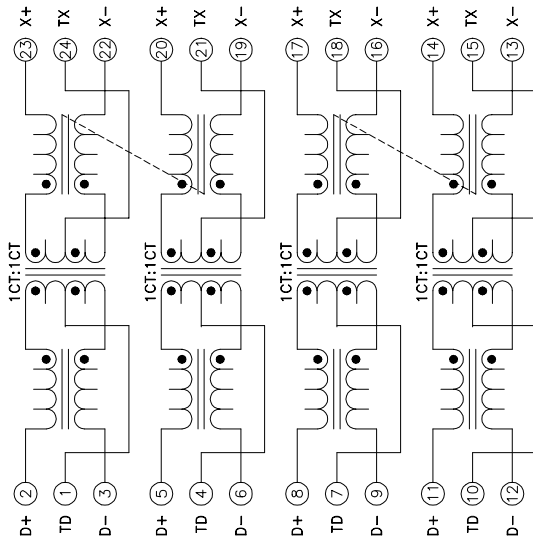
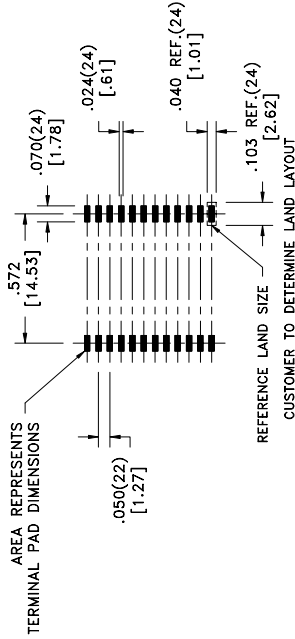
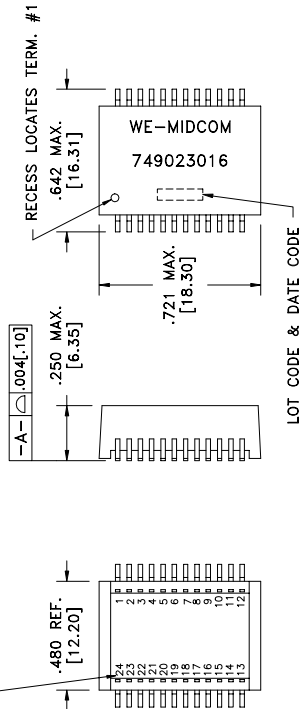


CUSTOMER TERMINAL	RoHS	LEAD(Pb)-FREE
Sn96% Ag4%	Yes	No

TERM. NO.'s FOR REF. ONLY



REV.	DATE
6A	2/08

Packaging Specifications

Method: Tape & Reel
 PKG-0653
 www.midcom-inc.com

Unless otherwise specified:
 Tolerances: Fractions: ±1/64
 Decimals: ±.005[.127]
 Angles: ±1°
 This drawing is dual dimensioned. Dimensions in brackets are in millimeters.

DRAWING TITLE
TRANSFORMER
 Gigabit & PoE
 eSos p/n: 749023016

DRAWING NO.



749023016

REVISIONS: SEE SHEET 1

SCALE ---

SHEET 2 OF 6



ELECTRICAL SPECIFICATIONS @ 25°C unless otherwise noted:

PARAMETER	TEST CONDITIONS	VALUE
INDUCTANCE	23-22 100kHz, 100mVAC, 8mA DC, Lp	350uH min.
INDUCTANCE	20-19 100kHz, 100mVAC, 8mA DC, Lp	350uH min.
INDUCTANCE	17-16 100kHz, 100mVAC, 8mA DC, Lp	350uH min.
INDUCTANCE	14-13 100kHz, 100mVAC, 8mA DC, Lp	350uH min.
DIELECTRIC	1-24 tie(1+4+7+10, 15+18+21+24) 1800Vrms, 1 second	1500Vrms, 1 minute
INSERTION LOSS	300k - 125MHz	-1.2dB max.
RETURN LOSS	500kHz - 40MHz	-18dB min.
RETURN LOSS	40M - 60MHz	-15dB min.
RETURN LOSS	60M - 80MHz	-12dB min.
RETURN LOSS	80M - 100MHz	-10dB min.
CROSSTALK	300kHz - 100MHz	-35dB min.
CMRR	300k - 32MHz	-42dB min.
CMRR	32M - 100MHz	-33dB min.

GENERAL SPECIFICATIONS:

OPERATING TEMPERATURE RANGE: 0°C to +70°C.

COPLANARITY: All 24 terminals must lie on a plane within .004 [.10] of Surface A after lead tinning.

Designed to handle 350mA DC and meet 802.3af.